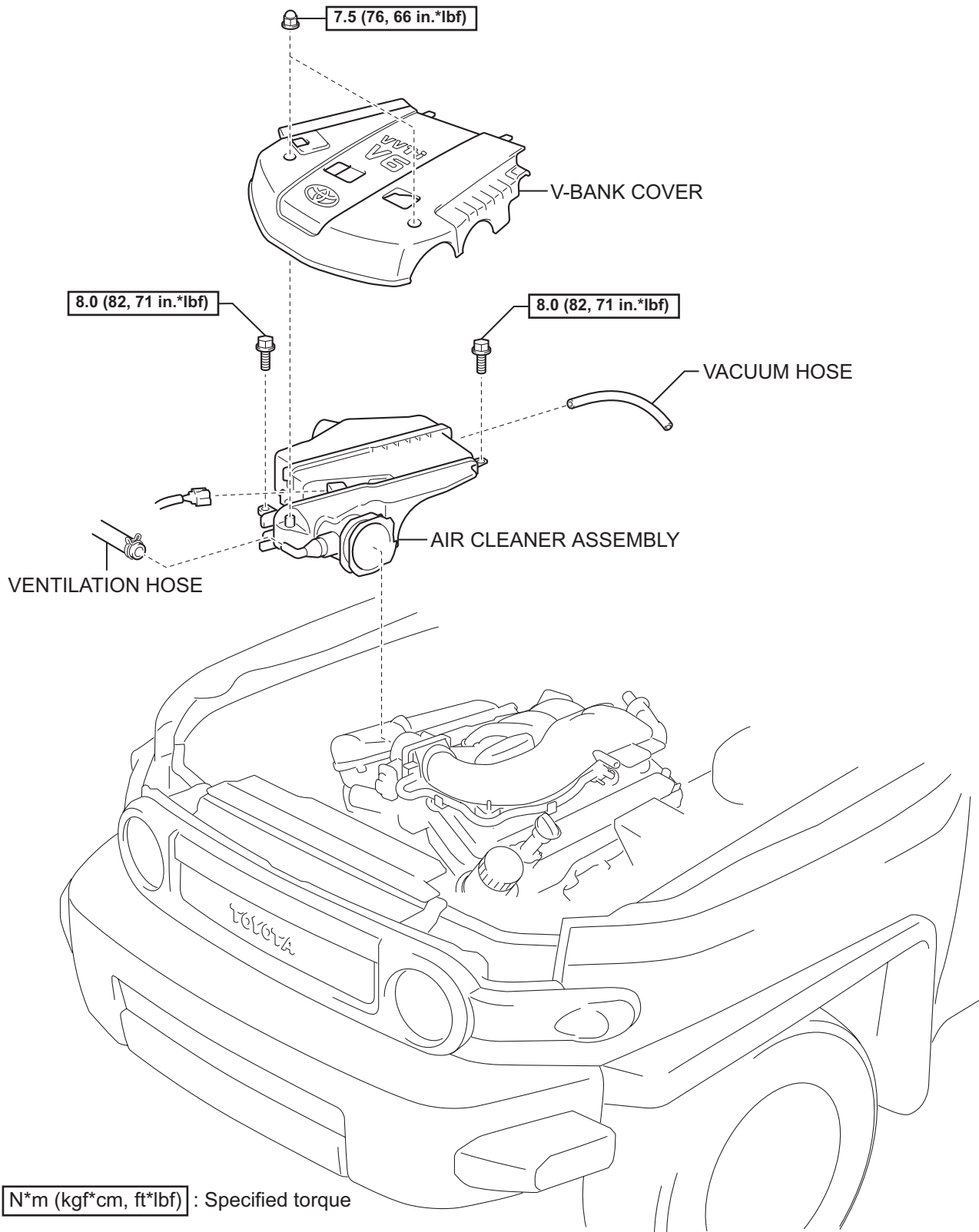
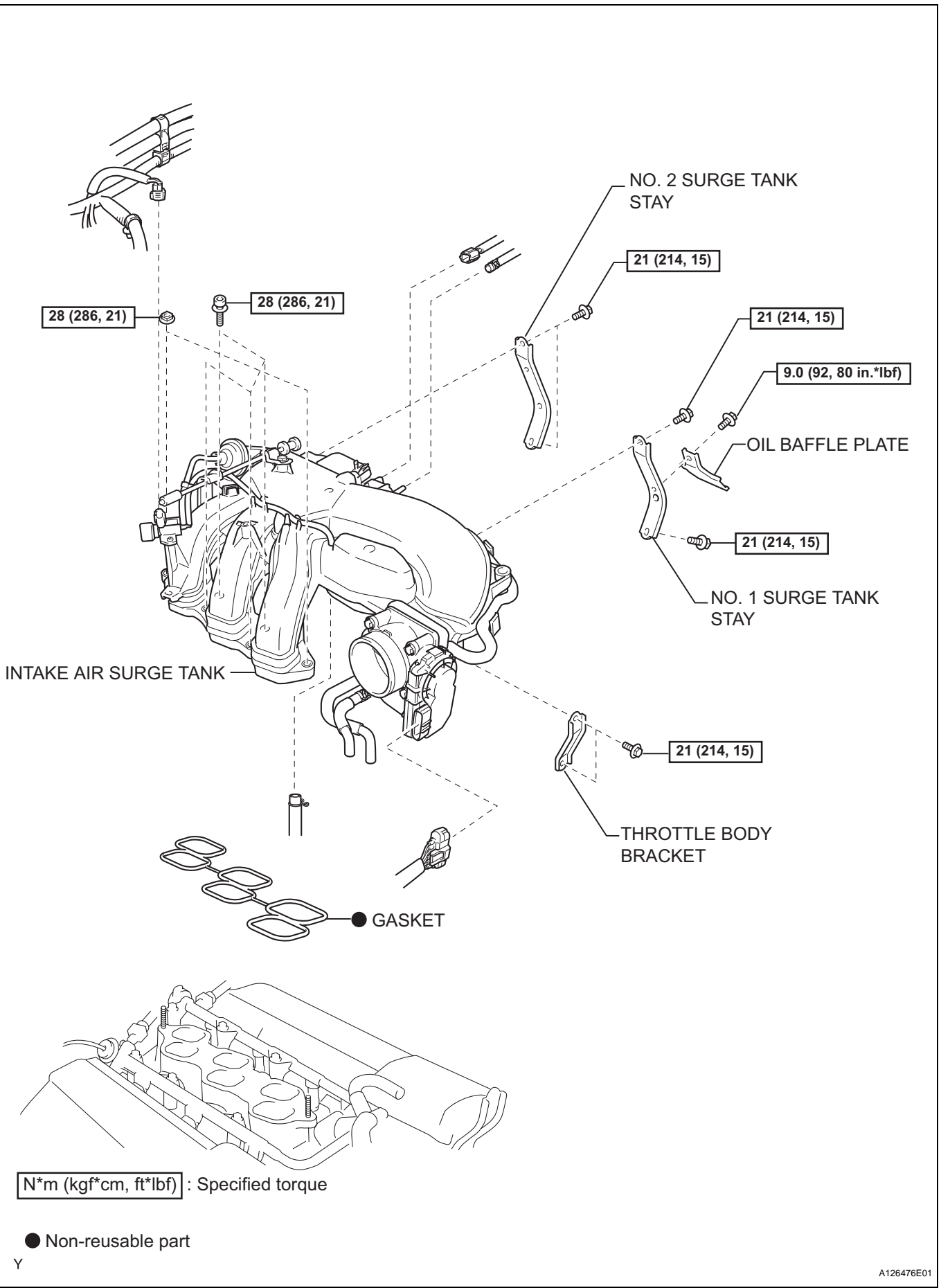


# FUEL INJECTOR COMPONENTS

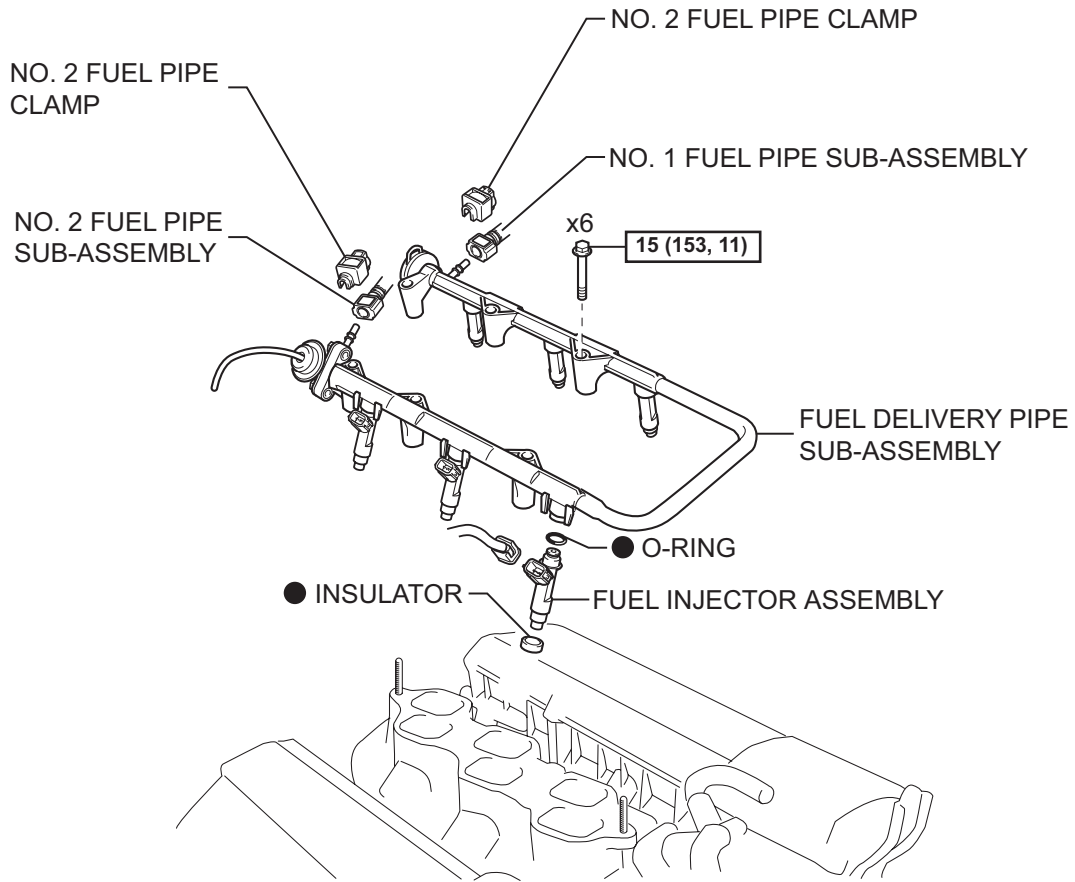
FU



**N\*m (kgf\*cm, ft\*lbf)** : Specified torque



FU



**N\*m (kgf\*cm, ft\*lbf)** : Specified torque

● Non-reusable part